

THIS DRAWING IS UNPUBLISHED.  
DIFFUSION RESEINTE AMP

RELEASED FOR PUBLICATION

.19

LOC  
FH

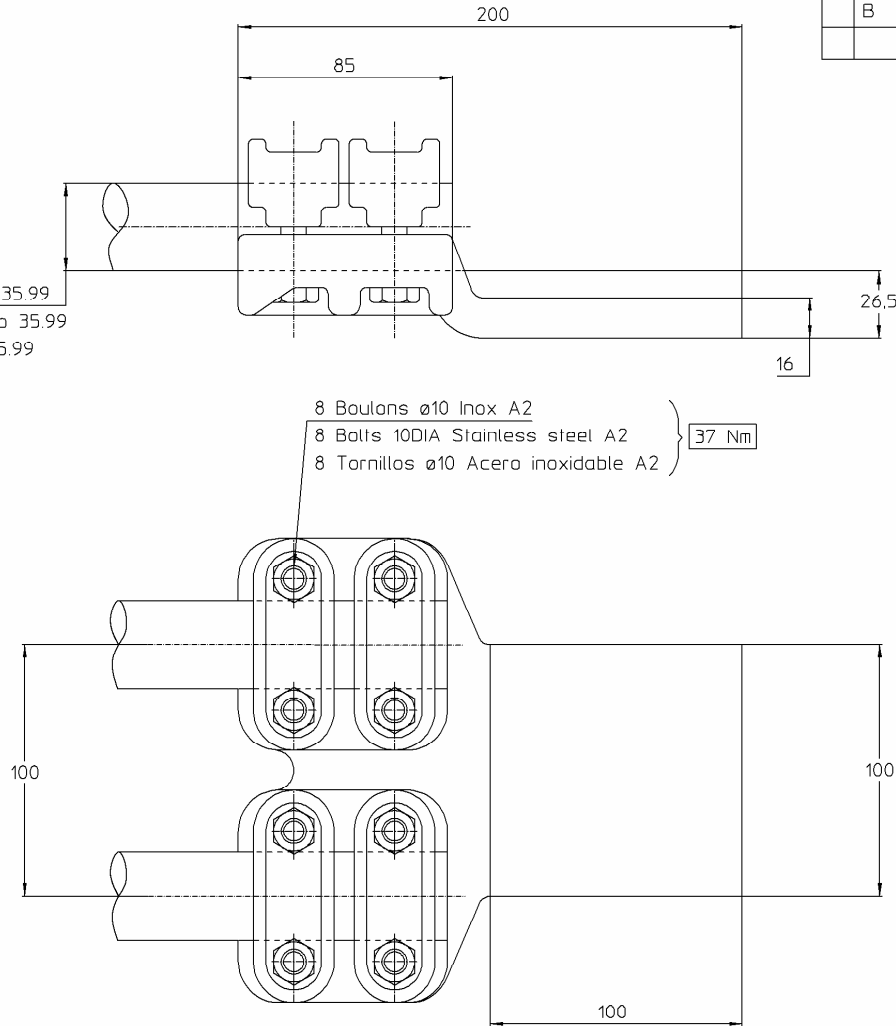
DIST  
2

REVISIONS

© COPYRIGHT 1997 BY AMP INCORPORATED. ALL RIGHTS RESERVED.  
TOUS DROITS RESERVES

P	LTR REV	DESCRIPTION MODIFICATIONS	DATE	DWN DESS.	APVD APP.
A		FF267	07/04/9	-	-
B		E000-0002-99	8-Jan-99	EN	HV

Cable ou tube ø31 à 35.99  
Cable or tube 31DIA to 35.99  
Cable o tubo ø31 a 35.99



8 Boulons ø10 Inox A2  
8 Bolts 10DIA Stainless steel A2  
8 Tornillos ø10 Acero inoxidable A2 } 37 Nm

THIS DRAWING IS A CONTROLLED DOCUMENT FOR AMP INCORPORATED  
IT IS SUBJECT TO CHANGE AND THE CONTROLLING ENGINEERING  
ORGANIZATION SHOULD BE CONTACTED FOR THE LATEST REVISION  
CE PLAN EST UN DOCUMENT CONTROLE PAR AMP INCORPORATED.  
IL EST SUSCEPTIBLE D'ETRE REVISE. CONTACTER LE SERVICE  
TECHNIQUE D'AMP SIMEL POUR OBTENIR LA DERNIERE REVISION

DIMENSIONS:  
mm

TOLERANCES UNLESS  
OTHERWISE SPECIFIED PER  
TOLERANCES NON SPECIFIEES  
SELON : -



MATERIAL  
MATIERE

FINISH  
FINITION

DWN /DESSINE 07/04/9  
VOGEL P

CHK /VERIFIE 8-Jan-99  
ROYER

APVD/APPROUVE  
VIAL

PRODUCT SPEC  
SPEC. PRODUIT  
02BFC0031

APPLICATION SPEC  
SPEC. APPLICATION

WEIGHT  
MASSE APPROX 2.1 KG

CUSTOMER DWG / PLAN CLIENT

NAME  
TITRE

CD 82 F 35 E100 100

SIZE  
FORMAT  
A3

CAGE CODE  
00779

DRAWING NO  
No PLAN  
C-792740

UNIQUEMENT  
POUR REFERENCE

SCALE  
ECHELLE 1/2

SHEET  
FEUILLE 1 OF 1

REV B

**AMP**

**AMP-SIMEL**  
21220 Gevrey Chamberlin  
FRANCE

ITEM: 20